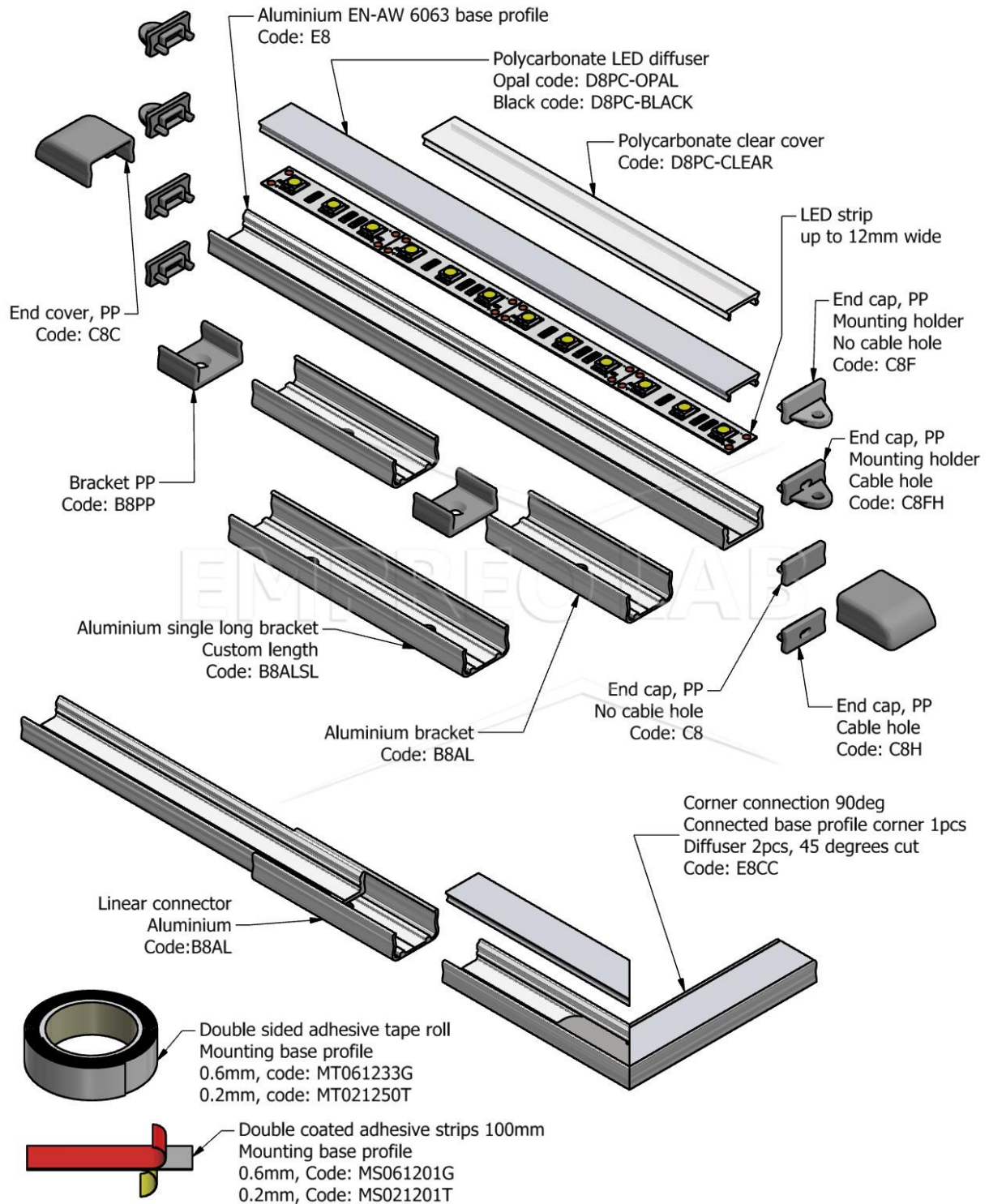


LED aluminium profile E8

Data sheet

I. Product overview



II. E8 aluminium profile specification

Solid aluminium extrusion EN-AW 6063.

Surface mounted, additional lighting.

LED strip up 12mm wide, recommended max power 18W/m.

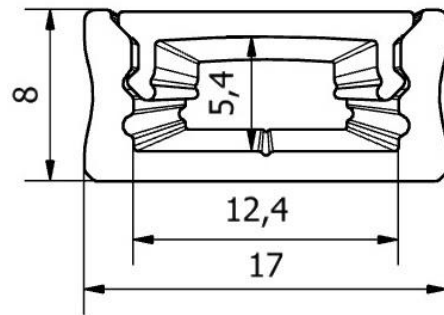
Measured profile surface temperature 41°C, conditions:

LED strip power 16W/m

Ambient temp. 23°C

Surface mounted

Outdoor use with silicon protected LED strip.



Surface finish :

- Anodized silver (code: C0)
- Anodized black (code: C35)
- Other colour on request

Available in standard lengths:

- 1005mm+5mm tolerance (code: 1m)
- 2015mm+5mm tolerance (code: 2m)
- Custom length on request



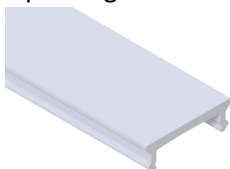
Order code: E8-[colour code]-[length code]-[diffuser code], for ex. "E8-C0-2m-D8PC-OPAL"

III. LED Diffusers and Covers

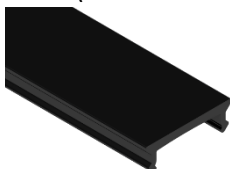
Polycarbonate LED optimized diffuser UV stabilized. High efficacy, flat, satin-like surface.

Do not expose the diffuser to direct sunlight.

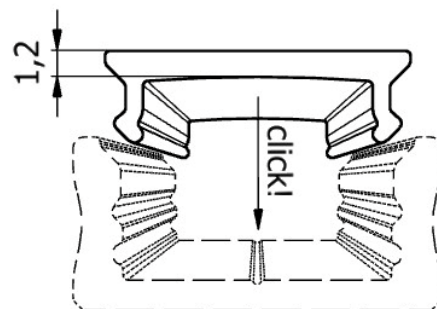
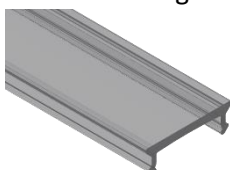
1. Opal - light transmission about 81% (code: D8PC-OPAL)



2. Black (code: D8PC-BLACK)



3. Clear cover - light transmission about 90%, low light diffusion (code: D8PC-CLEAR)



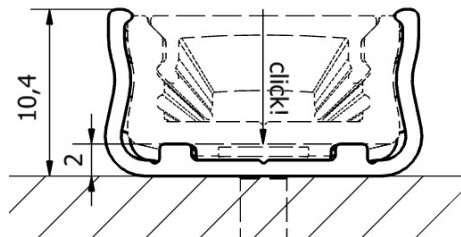
Ordered with the aluminium profile, see chapter II

IV. Installation methods

- Aluminium brackets.** Aesthetic appearance, surface finish as for base aluminium profile. Use 2 pieces per profiles up to 1m or 3 pieces per profiles up to 2m.
This bracket is also used as linear connector (see chapter VI)

Surface finish :

- Anodized silver (code: B8AL-C0)
- Anodized black (code: B8AL-C35)
- Other colour on request



Order code: [bracket code], for ex. "B8AL-C0". Screw included.

- Long aluminium bracket as described above. Single aesthetic bracket. One piece for one luminaire.**

The length of the bracket depends on the desired length of the fixture:

- 200mm for fixture up to 0,8m (code: B8ALSL200)
- 400mm for fixture up to 1m (code: B8ALSL400)
- Other length on request

Surface finish :

- Anodized silver (code: C0)
- Anodized black (code: C35)
- Other colour on request



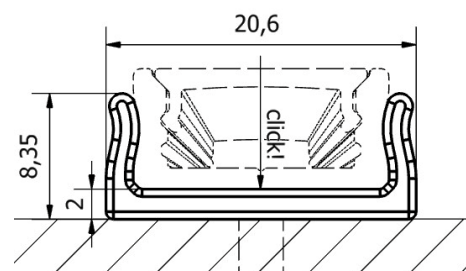
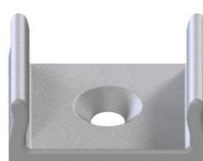
Order code: [bracket code]-[colour code], for ex. "B8ALSL200-C0"

- Bracket made of reinforced polypropylene with fibre glass for better thermal stability and higher mechanical toughness. Smart and discreet, 16mm length. UV stabilized.**

Use 2 pieces per profiles up to 1m or 3 pieces per profiles up to 2m.

Colour:

- Silver (code: B8PP-SILVER)
- Black (code: B8PP-BLACK)
- Other colour on request



Order code: [bracket code] for ex. "B8PP-SILVER". Screw included.

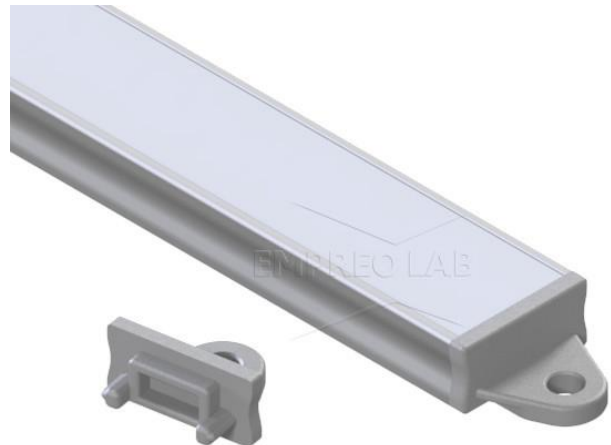
4. Installation using mounting end caps screwed to the surface. End cap is made of reinforced polypropylene with fibre glass for better thermal stability and higher mechanical toughness. UV stabilized.

Power cable opening:

- Without cable hole (code: C8F)
- With cable hole (code: C8FH)

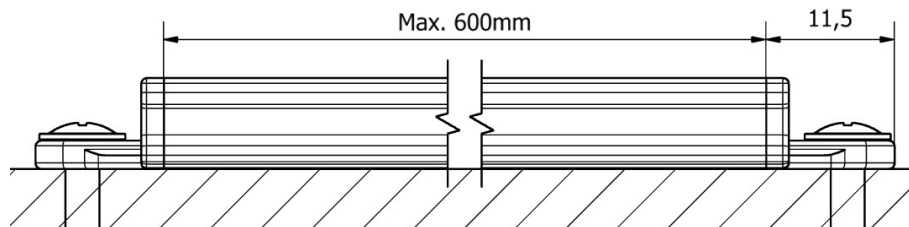
Colour:

- Silver (code: SILVER)
- Black (code: BLACK)
- Other colour on request

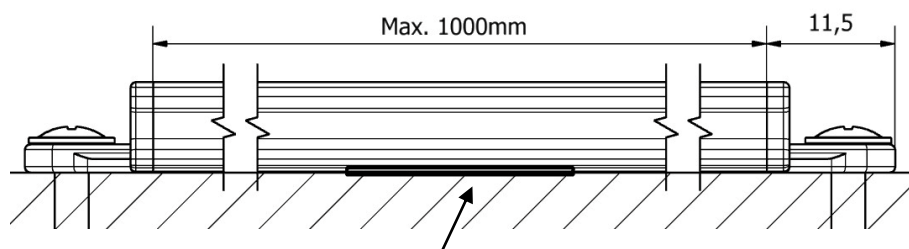


Maximum length for fixture:

- 0,6m - mounted only by end caps



- 1m – mounted by endcaps and 100mm strip of adhesive tape in the middle



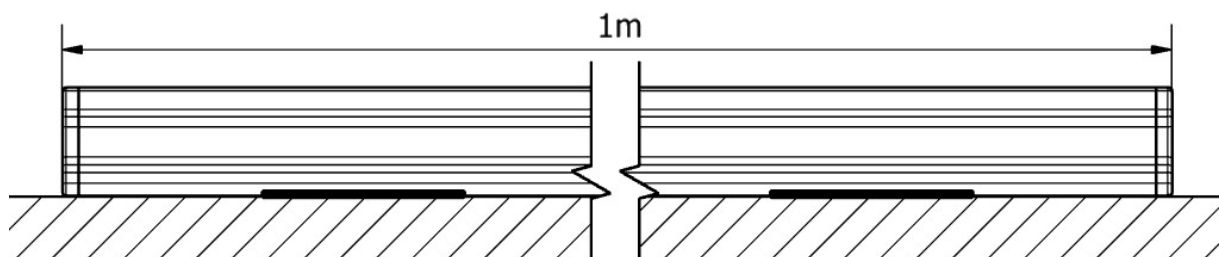
Adhesive strip 100x12mm (code: MS061201G)

Order code: [end cap code]-[colour code], for ex. "C8F-SILVER". Screw included.

5. Mounting with double-sided adhesive tape.

Double coated tape strips 100x12mm:

- Thickness 0.2mm use on smooth, flat surfaces. Transparent (code: MS021201T)
- Thickness 0.6mm use on less smooth and non-flat surfaces. Grey (code: MS061201G)
- Use two pcs per 1m of luminaire



Double sided adhesive tapes 12mm wide in rolls:

- Thickness 0.2mm, length 50m. Transparent (code: MT021250T)
- Thickness 0.6mm, length 33m. Grey (code: MT061233G)

V. End caps, made of reinforced polypropylene with fibre glass

1. Flat, thickness 2mm.

Power cable opening:

- Without cable opening (code: C8)
- With cable hole 2.4x4.7mm, suitable for cables up to 2x0.75mm² (code: C8H)



2. End cap with a handle to mount the profile. For more information on installation, see chapter IV point 4.

Power cable opening:

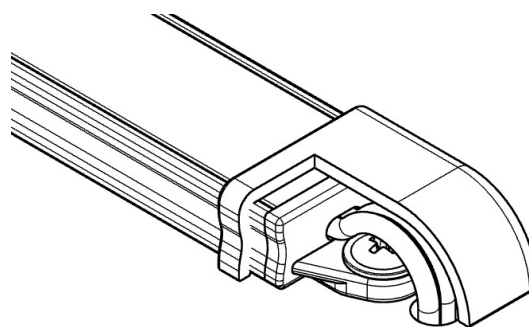
- Without cable opening (code: C8F)
- With cable hole 2.4x4.7mm, suitable for cables up to 2x0.75mm² (code: C8FH)



3. End cover to hide the ends of luminaire and power cables. This cover requires ordering a C8F or C8FH end cap.

Power cable opening:

- Including C8F – no cable hole (code: C8C-C8F)
- Including C8FH – cable hole (code: C8C-C8FH)



Colour codes for all end caps:

- Silver (code: SILVER)
- Black (code: BLACK)
- Other colour on request

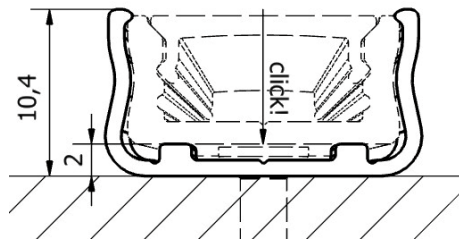
Order code: [end cap code]-[colour code], for ex. "C8F-SILVER"
"C8C-C8FH-SILVER"

VI. Linear connectors and corners

1. Aluminium linear connector. Aesthetic appearance surface finish as for base aluminium profile. The same part as the aluminium bracket.

Surface finish :

- Anodized silver (code: B8AL-C0)
- Anodized black (code: B8AL-C35)
- Other colour on request



In addition to the connector, the joined profiles must also be supported with brackets. The maximum distance between the brackets/ connectors should not exceed 700 mm. The profile can project beyond the bracket max. 300 mm.

For joining two equal profiles use number of brackets as following:

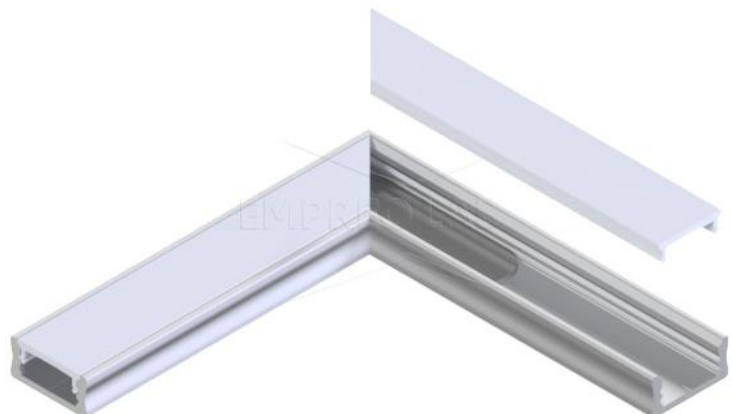
- 2x profile up to 1m each – 3 brackets, one as a line coupler at the connection point
- 2x profile from 1m to 1,5m each – 5 brackets, one as a line coupler at the connection point
- 2x profile from 1,5m to 2m each – 7 brackets, one as a line coupler at the connection point

Order code: [connector code], for ex. "B8AL-C0". Screw included.

2. Connected 90deg corner. Included two diffusers cut 45deg.

Surface finish :

- Anodized silver
(code: E8CC-C0)
- Anodized black
(code: E8CC-C35)
- Other colour on request



Available on request, custom length profiles prepared for corner connection to build:

- Rectangular frames
- C, L, Z shapes

*Order code: [corner code]-[colour code]-[diffuser code], for ex. "E8CC-C0- D8PCOPAL".
Diffuser codes are in chapter III.
Linear connectors not included.*